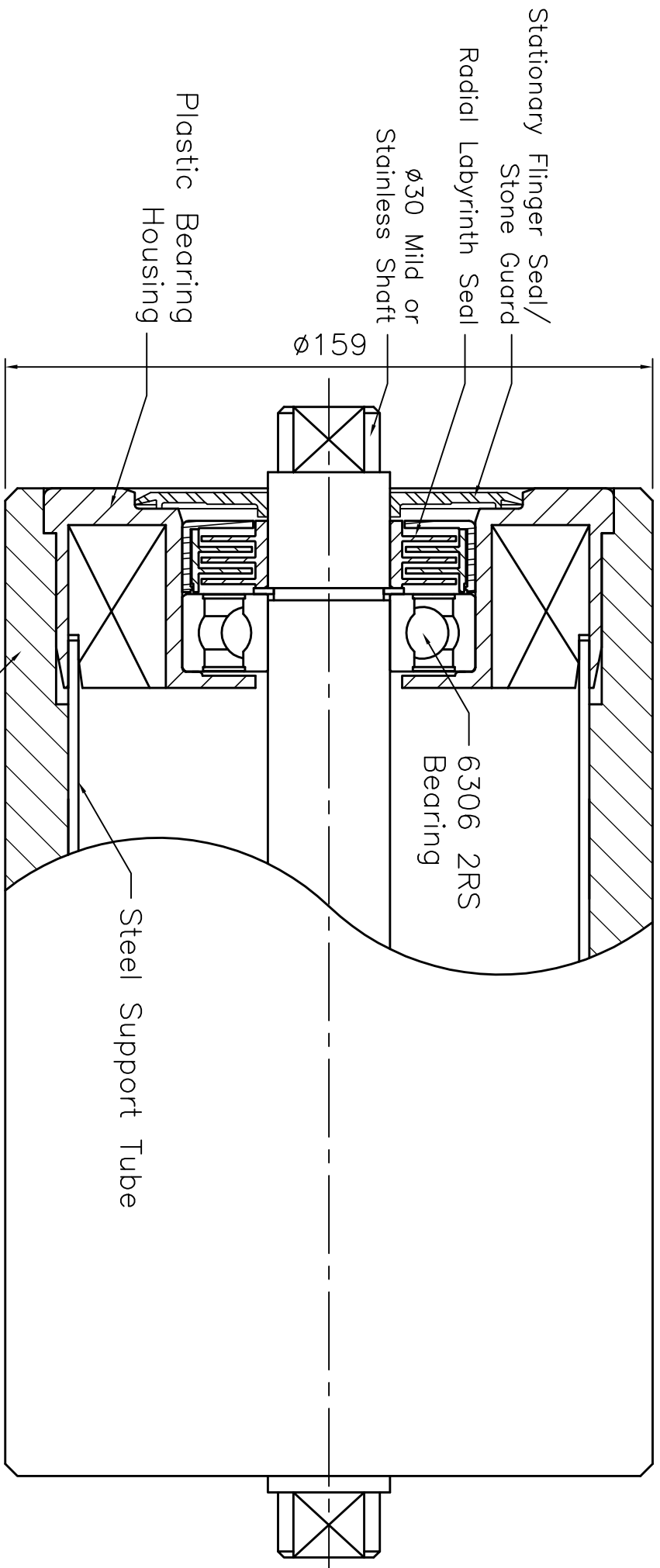


DO NOT SCALE. IF IN DOUBT - ASK
THIRD ANGLE PROJECTION



Plastic Bearing Housing

Stationary Finger Seal/
Stone Guard

Radial Labyrinth Seal

Stainless Shaft
Ø30 Mild or

Ø159

6306 2RS
Bearing

Steel Support Tube

HDPE Tube, Optional Fire
Resistant

HORIZON
CONVEYOR EQUIPMENT

88 MEDICAL HILL ROAD, GRADLEY HEATH,
WARRLEY, WEST MIDDLESEX, S64 5JF
TEL: +44 (0) 1949 898904 FAX: +44 (0) 1949 898179
E-MAIL: info@horizon-conveyors.co.uk
Internet: <http://www.horizon-conveyors.co.uk>

DESCRIPTION
Ø159 Plastic Troughing/Return Roller
General Arrangement

REVISION	'A'
DESCRIPTION	FIRST ISSUE
APPROVED	A. Jackson
DATE	

CLIENT	JOB NO.
DRAWN A. Jackson	CHK'D
DATE	DATE
DRAWING NO.	Ø159_Endcap
SCALE	NTS
REVISION	A

CONFORMING TO THE DRAWING MUST BE MADE USING THE 'AUTOCAD' CAD SYSTEM

SIZE 'A1' 841 x 594mm.